

Recycling the Vicious Circle

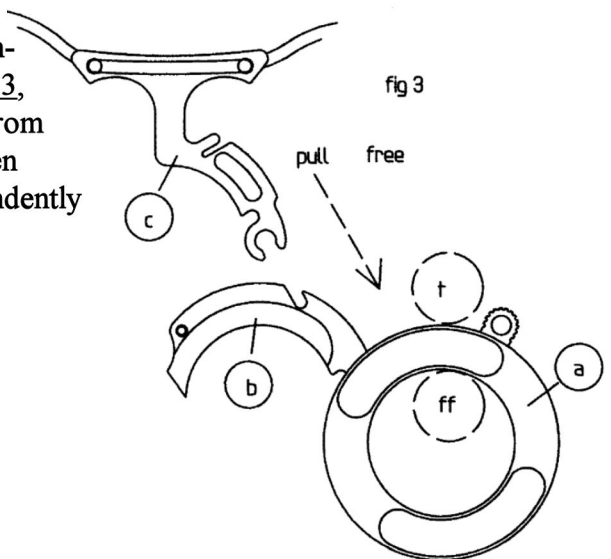
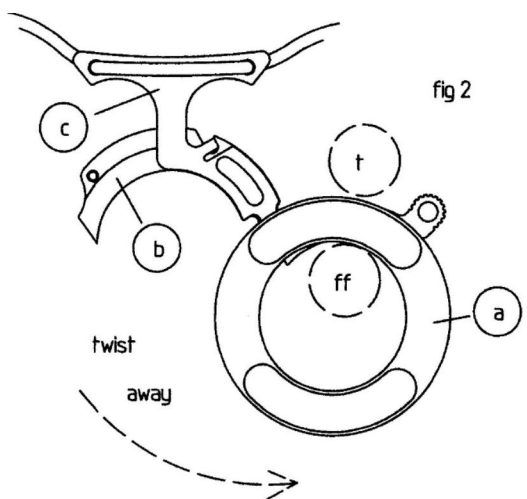
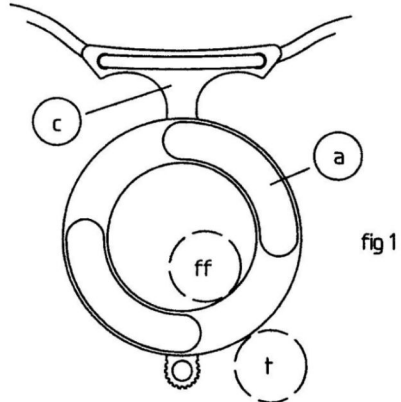
The Vicious Circle is an unusual folding knife that functions in a surprising way. The following step-by-step directions can be made to work very smoothly, with some small amount of practice.

To Open:

Step 1: When the knife is worn by the neck cord as shown in Fig.1, the first step to opening is to firmly grasp the circular handle (a) with the forefinger (ff), and the thumb (t), at the location indicated.

Step 2: By pulling downward and twisting at the same time as shown in Fig.2, the blade (b) will swing open and lock, as it hits the end of its travel.

Step 3: Continuing the downward force as shown in Fig.3, will separate the blade (b), from the bail (c), allowing the open knife to be deployed independently as needed.



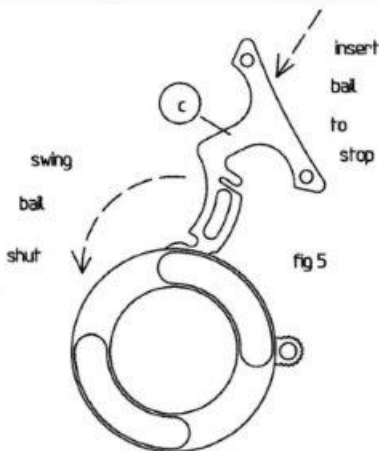
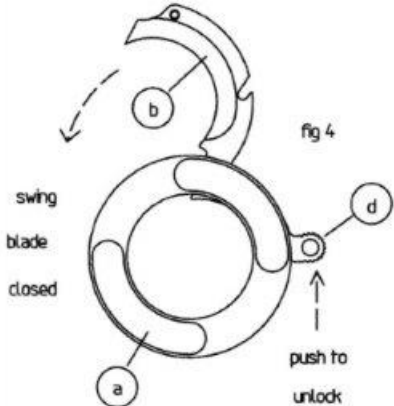
To Close:

Step 4: Closing the blade is made possible by first applying pressure on the delocking lug (d), as shown in Fig.4, while folding blade (b) into handle (a).

Step 5: The method of reattaching the closed knife to the bail (c) is shown in Fig.5. The bail must be inserted in the direction indicated by the arrow, until seated around the pivot point, then swung closed until clicking into place, as seen in Fig.6.

The Vicious Circle is now complete

Note: Make sure that the loop on the neck cord is kept small to prevent disengagement. The end with the hook allows you to adjust the length of the neck cord.



Hawk Designs



MANTIS KNIVES

